

# Combined Intake / Discharge Louvres

## Description

This unique louvre offers both air intake and discharge within the same panel.

The warm discharged air is directed upwards at 45° avoiding short cutting and cross contamination of the incoming supply air in the lower louvre section (see detail below).

Heavy duty construction allows large panels to be produced with unbroken blades.

Larger areas can be covered using multiple panel assemblies which will incorporate narrowline visible mullions.

## Construction

From extruded aluminium sections, frame 3.0mm thick, blades 2.0mm thick. All frames to be of fully welded construction. Fitted as standard with rear galvanised steel bird mesh screen.

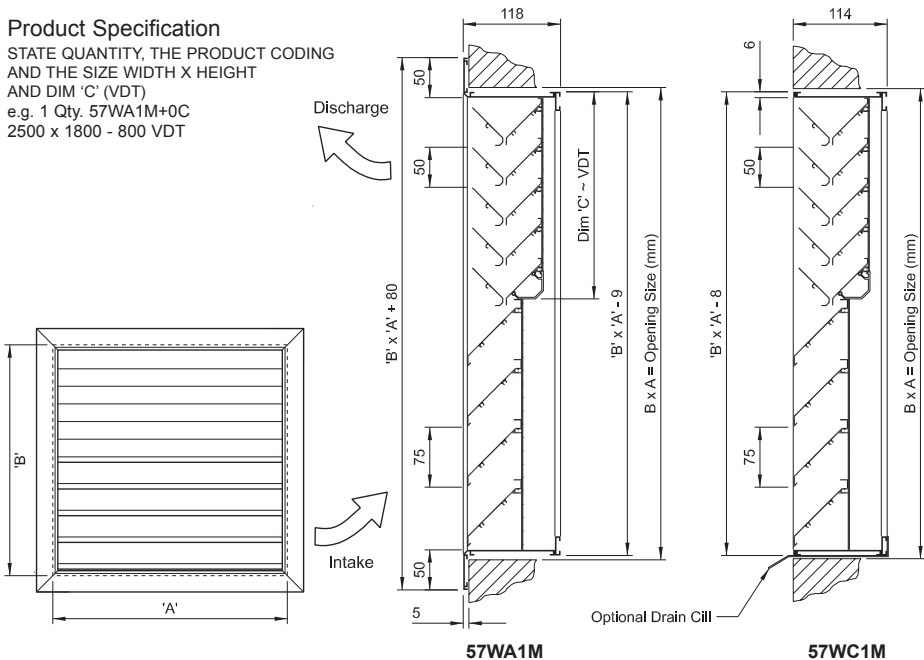
## Size and Weight

From 600 x 600 to 3000 x 2000 in a single unit. Larger sizes are available in multiple units. Concealed rear mullions when width exceeds 1200mm.  
Average weight: 19.75kg/m<sup>2</sup>.  
Average free area: 48%.



## Product Specification

STATE QUANTITY, THE PRODUCT CODING AND THE SIZE WIDTH X HEIGHT AND DIM 'C' (VDT)  
e.g. 1 Qty. 57WA1M+0C  
2500 x 1800 - 800 VDT



Blade Pitch	Frame Style	Options	Mesh Options
57 50 / 75mm	WA Flanged Frame	1 None	M Bird Mesh
36 30 / 60mm	WC Recessed Frame		I Insect Mesh
	WB Reversed Angle Frame		0 None

+

Fixings	Finish
0 None	D Mill Finish
1 Flange Holes	C PPC BS / RAL Colour
2 Rear Fixing Lugs C/W Tee Bolts	