

30mm Weather Louvres

Description

For intake or extract air, the 45° blades are fixed at 30mm centres and have excellent integral rain defence features. Suitable for external mounting and designed for smaller louver panels.

Construction

From extruded aluminium sections, frame and blades 1.6mm thick. Hairline mitres mechanically held. Fitted as standard with rear galvanised steel bird mesh screen.

Size and Weight

From 150 x 150 to 1200 x 1200, concealed rear mullions when width exceeds 900mm.

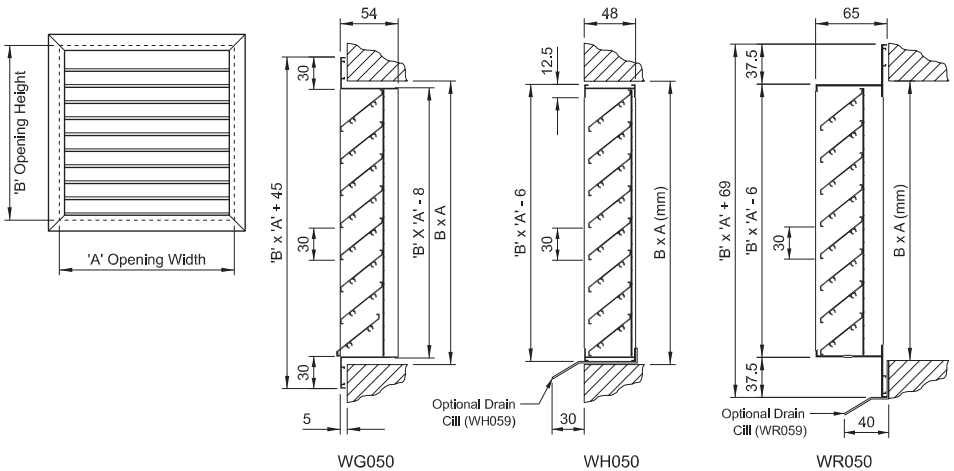
Weight approximately 11.5kg/m².

Free area 50%.

Product Specification

STATE QUANTITY, THE PRODUCT CODING AND THE SIZE WIDTH X HEIGHT

e.g. 10 Qty. WG050+0C 500 x 300.



Frame Style	Panel Options	Mesh Options	Accessories
WG 30mm Flange	0 Single Panel	5 Bird Mesh	0 None
WH Recessed Frame		7 Insect Mesh	9 Drain Cill
WR Reversed Angle Frame		0 None	



Fixings	Finish
0 None	D Mill Finish
1 Flange Holes	C PPC BS / RAL Colour
4 Rear Fixing Lugs	A Satin Anodised (WG050 Only)