

High Capacity Swirl Diffusers

Description

For supply or extract air, unique fixed curved blade swirl diffuser offering exceptional performance at both high and low air volumes. Rapid air velocity and temperature differential reduction allows high air changes whilst maintaining comfort criteria in the occupied zone. Suitable for ceiling or duct mounting.

Construction

From 1.2mm thick pressed sheet steel with 1.2mm thick rear collar.

Size

Available in 595 x 595mm for lay-in ceiling tile replacer or 350mm and 500mm Ø neck sizes.

How to Specify

STATE QUANTITY, THE PRODUCT CODING AND THE SIZE WIDTH X HEIGHT

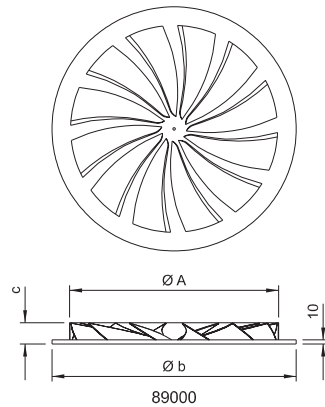
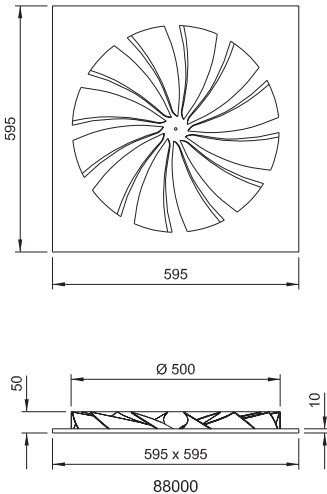
e.g. 10 Qty. 8951K+2C 500 Ø.



Frame Style	Options	Options	Accessories
88 Square Face Swirl	0 None	0 None	0 None
89 Circular Face Swirl	5 Plenum / Duct Fixing Bar	1 Top Inlet Plenum 2 Side Inlet Plenum	K Perforated Flat Plate Damper

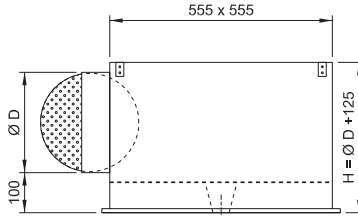
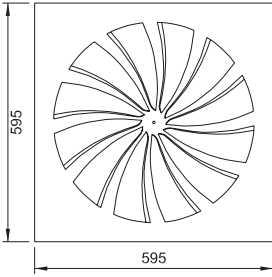


Fixings	Finish
2 Neck Fixings	C PPC BS / RAL Colour
4 External Drop Rod Lugs	
5 Clip-in T-Bar	
6 Lay-in Tile Replacer	

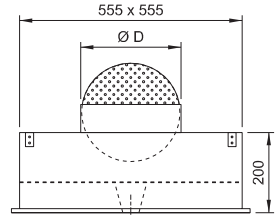


Type 89000 Dimensions (mm)			
Size	Ø A	Ø b	c
Ø 350	350	390	50
Ø 500	500	590	50

High Capacity Swirl Diffusers



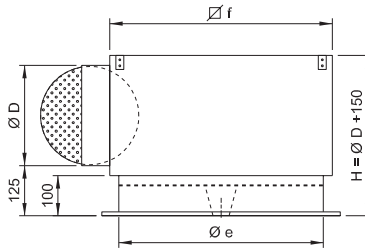
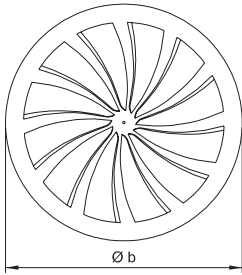
8852K
'K' Type damper optional



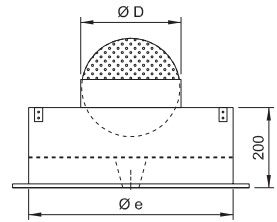
8851K
'K' Type damper optional

88 Square Face Swirl

* Note 88H20 and 88B20 H=ØD + 175
88P20 H=ØD + 150



8952K
'K' Type damper optional



8952K
'K' Type damper optional

89000 Dimensions (mm)			
Size	Ø b	Ø e	∅ f
Ø 350	390	355	405
Ø 500	590	510	555

89 Circular Face Swirl

Spigot Ø D	q (l/s)	50	75	100	125	150	175	200	225	250	275	300	325	350
Ø 200	Lt (m) 0.25	1.0	1.5	2.0	2.5	3.0								
	Lt (m) 0.50	0.5	0.7	1.0	1.3	2.0								
	NC	15	20	25	29	37								
	Pt (Pascals)	5	6	7	8	9								
Ø 250	Lt (m) 0.25			1.8	2.4	3.0	3.3	4.0						
	Lt (m) 0.50			0.7	1.1	1.8	2.0	2.4						
	NC			17	21	25	28	37						
	Pt (Pascals)			4	6	7	12	16						
Ø 300	Lt (m) 0.25				2.4	2.5	2.8	3.0	3.2	3.3	3.5	3.6	4.0	
	Lt (m) 0.50				1.4	1.6	1.8	1.9	2.3	2.3	2.5	2.7	2.9	
	NC				19	22	24	27	30	33	35	39	45	
	Pt (Pascals)				6	10	12	14	16	21	24	28	33	

Data is based upon the Ø 500 neck model (types 88000 & 89000) ceiling mounted 2.7 metres high supplying cool air -10° below room temperature.
Throws are based on maximum velocities measured at 1.8m from floor level