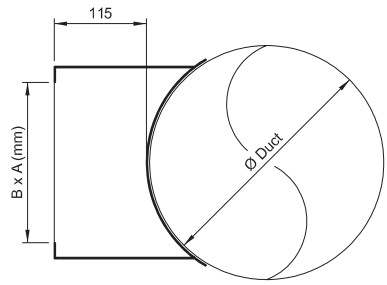
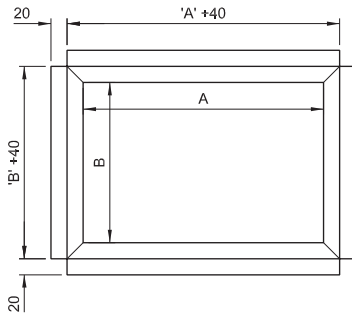


Accessories

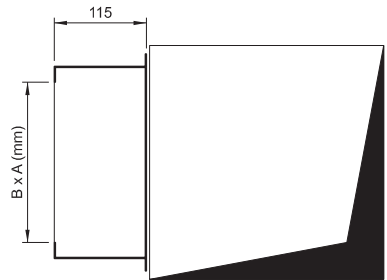
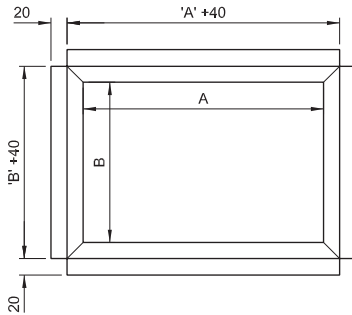


GM000+F0

Description
Spiral duct grille spigot from galvanised sheet steel or Zintec. Supplied separately as standard for installation by others or, on request factory assembled (and painted if required)

To Specify
State the quantity, dimension 'A' x 'B' and the duct diameter.

Example: 10 No. GM000+F0 450 x 200 To 500Ø

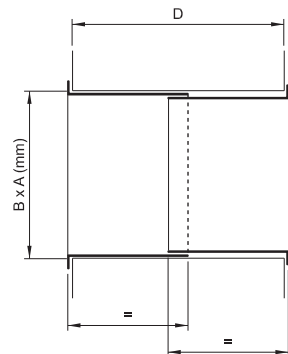
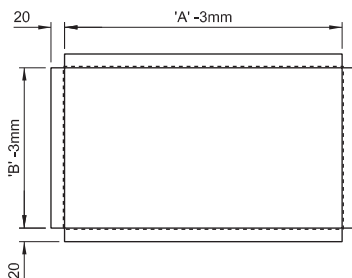


GU000+F0

Description
Conventional duct grille spigot from galvanised sheet steel or Zintec. Supplied separately as standard for installation by others or, on request factory assembled (and painted if required)

To Specify
State the quantity, dimension 'A' x 'B'.

Example: 10 No. GU000+F0 450 x 200



GP000+F0

Description
Telescopic grille spigot from galvanised sheet steel or zintec for all through wall applications, supplied as an individual unit or can be fitted with grilles, louvres, back draught shutters, fire dampers and intumescent fire blocks. Can be painted matt black internally on request. Telescopic from 150mm to 300mm as standard and A x B dimensions from 150 x 100 to 1200 x 1200.

To Specify
State the quantity, dimension 'A' x 'B' and dimension 'D' if other than 150 to 300.

Example: 10 No. GP000+F0 450 x 200. 'D' = 200 to 400

Also available as a Fixed Length Sleeve Type GF000+F0 with Flange at one end only and GF000+00 Plain Sleeve without Flanges.